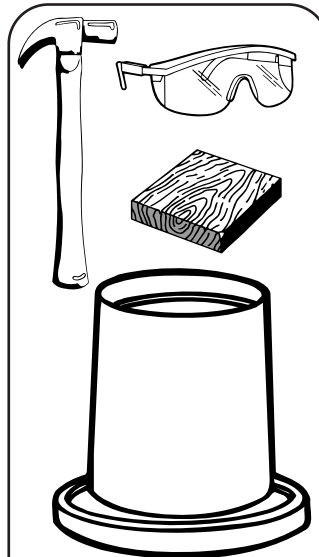
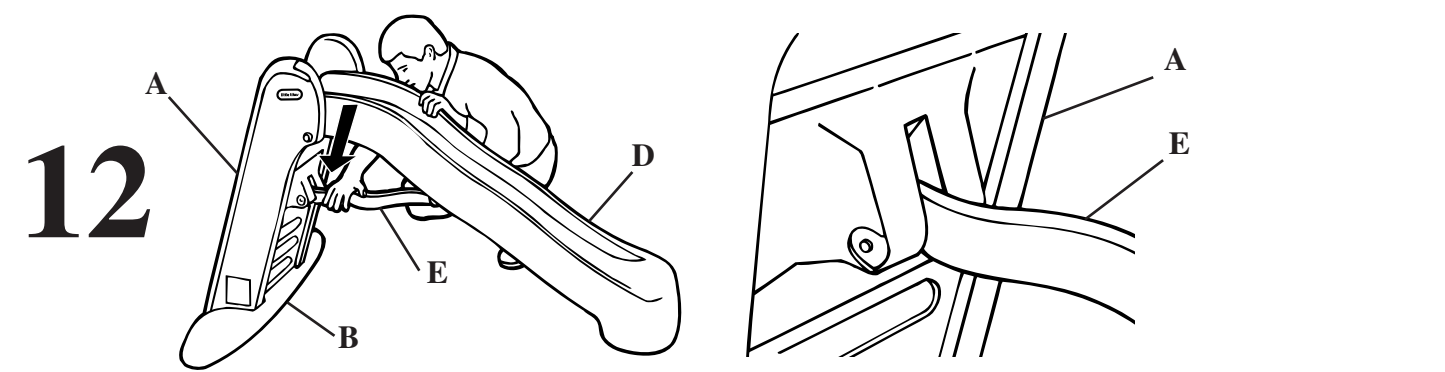
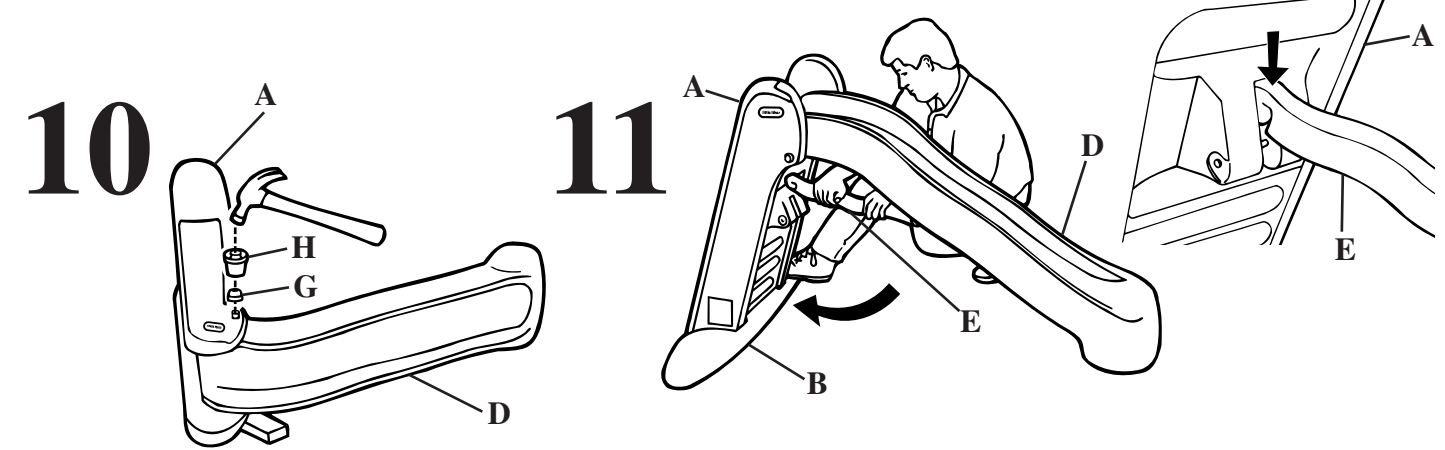
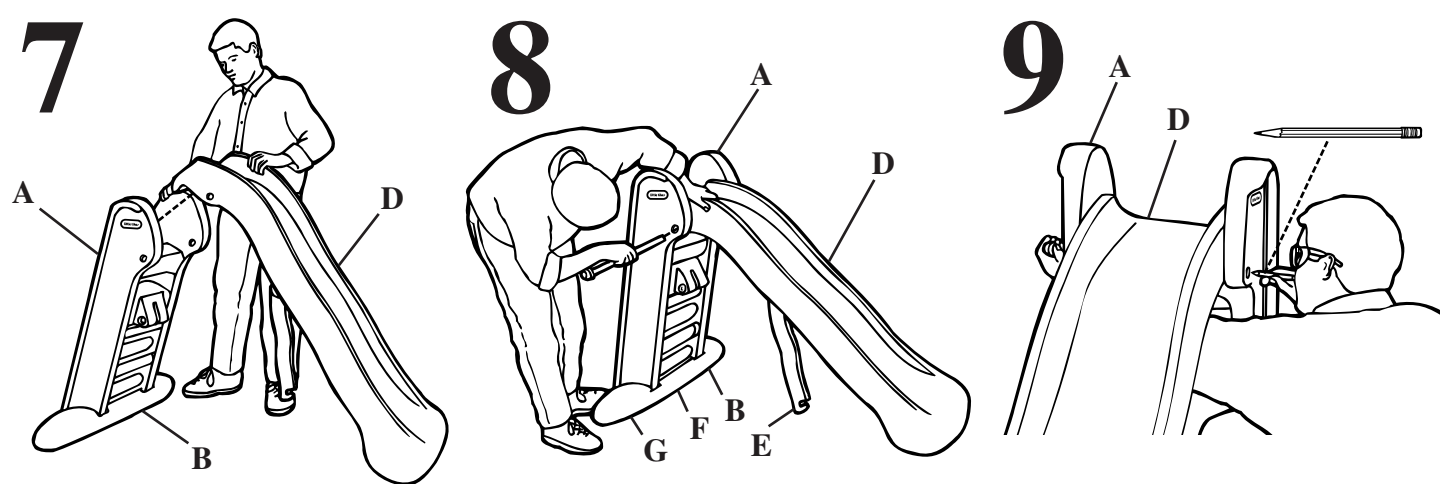
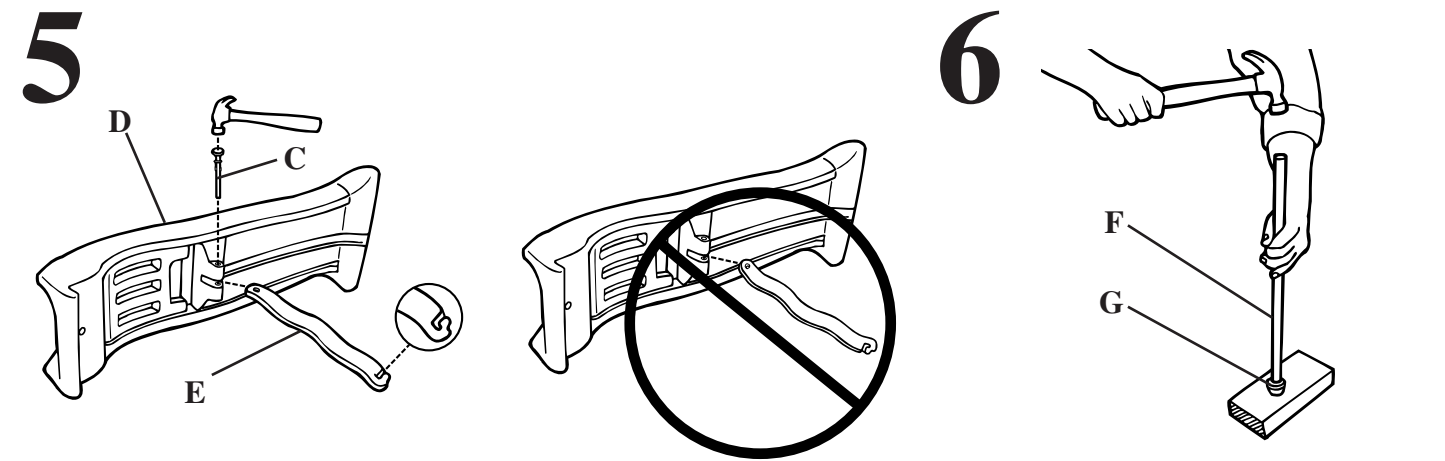
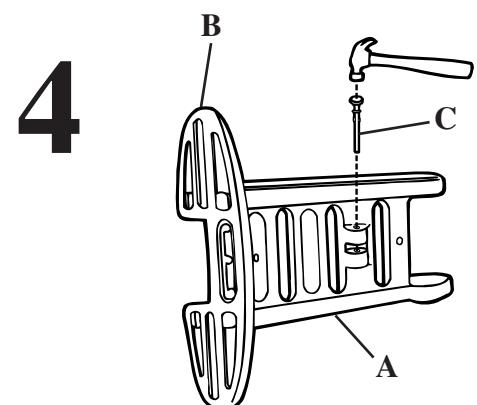
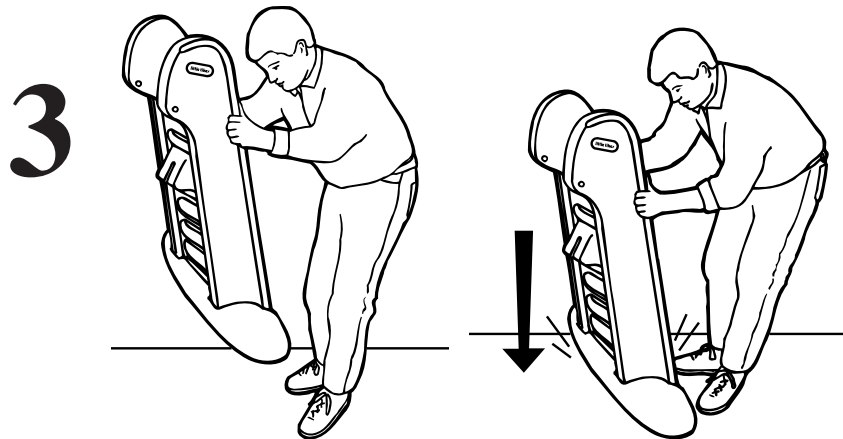
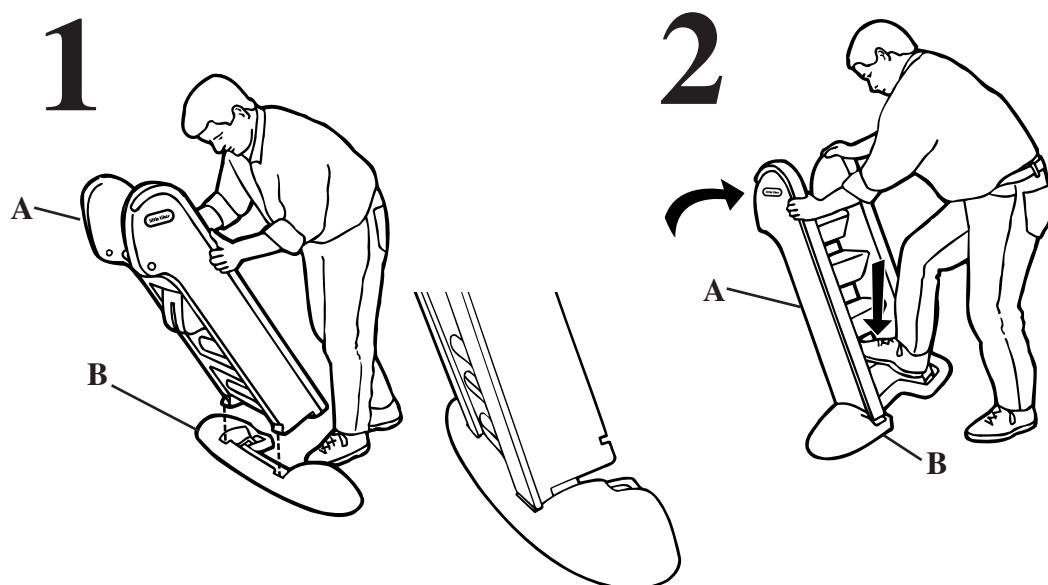
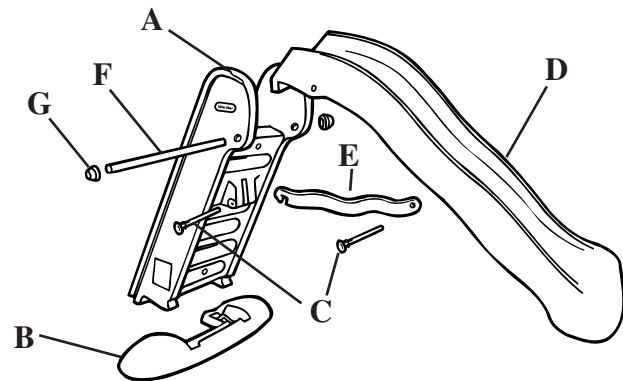


4263/4884/170805/  
171734E13



Capnut tool. Discard after use.  
Chasse pour capuchon de vis.  
Jeter après usage.  
Dispositivo para tuerca tapón.  
Descártelo después de utilizarlo.



**ENGLISH**

**EASY STORE™ LARGE SLIDE**

Ages: 2 - 6 years  
Please save sales receipt for proof of purchase.

**ADULT ASSEMBLY REQUIRED.**

- ⚠ WARNING:**
- Keep these instructions for future reference.
  - Prior to assembly, this package contains small parts: hardware which is a choking hazard and may contain sharp edges and sharp points. Keep away from children until assembled.
  - Falls onto hard surfaces could result in head or other serious injuries. Never place on concrete, asphalt, wood, packed earth or other hard surfaces. Carpet over hard floors may not prevent injury. Always use protective surfacing on the ground under and surrounding the playground equipment according to the enclosed "Consumer Information Sheet for Playground Surfacing Materials."
  - Adult supervision required. Do not leave children unattended.
  - This product is intended for use by children ages 2 to 6 years.
  - Maximum weight per child: 75 lbs. (34 kg). Limit 1 child.

- Shoes must be worn at all times.
- This product is intended for outdoor domestic family use only.

**CAUTION:**

- Protect your eyes. Always wear safety glasses when using a hammer.
- Observing the following statements and warnings reduces the likelihood of serious or fatal injury.
- Place this product on level ground, at least 6' (2 m) away from any object. Objects to be avoided include, but are not limited to, fences, buildings, garages, houses, overhead branches, laundry lines or electrical wires.
- It is recommended that the orientation of the assembled product be such that direct sunlight is minimized on surfaces intended for standing or sitting.
- Instruct children on proper use of this product, only after properly placed, and not in a manner other than intended.
- Do not allow children to climb on product when product is wet.
- Instruct children not to attach items to the product that are not specifically designed for use with the product such as, but not limited to, jump ropes, clotheslines, pet leashes, cables and chains, as they may cause a strangulation hazard.
- Dress children appropriately: avoid loose-fitting clothing such as ponchos, scarves, etc. that are potentially hazardous while using this equipment.

- Make sure support bar (E) is properly "locked" into ladder and periodically check prior to use.

**MAINTENANCE**

- Check all hardware twice monthly during the usage period and tighten as required. It is particularly important that this procedure be followed at the beginning of each season. Replacement should be made in accordance with the manufacturer's instructions.
- Take this product indoors or do not use outdoors when temperatures fall below 0°F (-18°C).

**DISPOSAL**

- Disassemble and dispose in such a manner that no hazardous conditions exist at the time the product is discarded.

**CONSUMER SERVICE**

**TOLL-FREE NUMBER:**  
*United States:*  
[www.littletikes.com](http://www.littletikes.com)  
**1-800-321-0183** Monday - Friday  
The Little Tikes Company





