

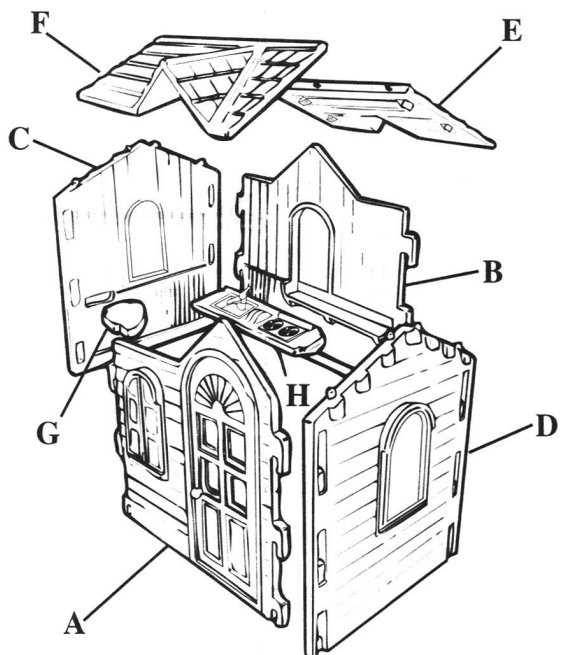
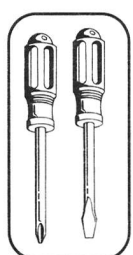


**littletikes.com**

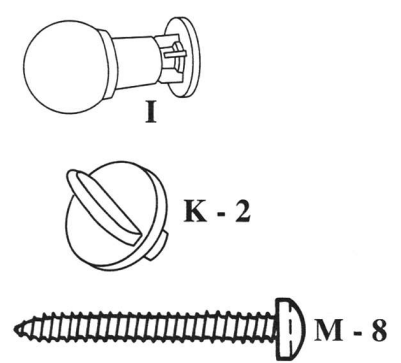
- Catalogue des produits
- Nouveaux jouets
- Service clientèle
- Pièces de rechange
- Concours publicitaire
- Rejoignez notre club
- Catálogo de productos
- Juguetes nuevos
- Servicio al cliente
- Piezas de repuesto
- Sorteos
- Unase a nuestro club
- Product catalog
- New toys
- Customer service
- Replacement parts
- Sweepstakes
- Join our club



**4797  
440R  
440S**



624907490-R2-8/03



**ENGLISH**

**COUNTRY COTTAGE**

Ages 2 - 6 years  
Please save sales receipt for proof of purchase.

**ADULT ASSEMBLY REQUIRED.**  
You may need two adults due to large size of component parts.

- WARNING:**
- This package contains small parts. Keep away from children until assembled.
  - Place this product on level ground and at least 6 feet (1.8m) away from a fence, building, overhead branches, lines or wires.
  - DO NOT place this product on concrete, asphalt, packed earth or other hard surfaces.
  - When temperatures fall below 0°F/-18°C, outdoor use of this product is not recommended. In extreme cold, plastic materials lose resilience and may become brittle and crack upon impact. Store product in a warmer, protected place.
  - Instruct children on proper use of this product: only after properly assembled and installed, and not in a manner other than intended.
  - Adult supervision required.

**ASSEMBLY HINT**  
When attaching walls, it may be necessary to use an adult's full body weight. As you lift up wall, insert hooks into holes on the other wall. Stand near corner where the two walls connect. Lean over wall with the connecting hooks and bounce entire weight on top edge.  
As a second option, you may use a block of wood and a hammer (or rubber mallet). Place block of wood on top of the wall with hooks near the corner. Strike wood with hammer.  
When attaching sink shelf (H), grasp window and pull back wall (B) toward you. Push sink shelf down to pop peg into hole under window.

**DISASSEMBLY**  
To disassemble, reverse order of steps for assembly. Prior to disassembly, lubricate all areas where walls connect with liquid dish soap. It's helpful to place a small block of wood underneath the wall with the hooks. Lean over

the wall with the corresponding holes. Bounce entire weight on top edge until unhooked. Or, you can place a second block of wood on top of the wall with the corresponding holes near the corner. Strike wood with a hammer.

**MAINTENANCE:**  
• Check screws periodically for tightness.

**CONSUMER SERVICE**  
[www.littletikes.com](http://www.littletikes.com)

**TOLL-FREE NUMBER:**  
*United States:*  
**1-800-321-0183**  
Monday - Friday  
The Little Tikes Company  
PO Box 2277  
2180 Barlow Road  
Hudson, Ohio 44236-0877

*United Kingdom:*  
Little Tikes UK & Ireland  
900 Pavilion Drive, First Floor  
Northampton NN4 0YR U.K.  
Tel: + 44 (0) 800.521558  
Monday - Friday 08:30 - 16:45  
Fax: + 44 (0) 1604.875800

Printed in U.S.A. D.R.©2003 The Little Tikes Company  
**A Division of NewellRubbermaid.**

**LIMITED WARRANTY**  
The Little Tikes Company makes fun, high quality toys. We warrant to the original consumer purchaser that this product is free of defects in materials or workmanship for one year\* from the date of purchase (sales receipt is required for proof of purchase), or we will replace defective parts. This warranty is valid only if the product has been assembled and maintained per the instructions. This warranty does not cover abuse, accident, cosmetic issues such as fading or scratches from normal wear, or any other cause not arising from defects in material and workmanship.

\*The warranty period is three months for daycare or commercial purchasers.

**U.S.A. and Canada:** For warranty service or replacement part information, please visit our website at [www.littletikes.com](http://www.littletikes.com), call 1-800-321-0183, or write to: Consumer Services, The Little Tikes Company, 2180 Barlow Rd., Hudson OH, 44236, U.S.A. Some replacement parts may be available for purchase after warranty expires — contact us for details.  
**Outside U.S.A. and Canada:** Contact place of purchase for warranty service.

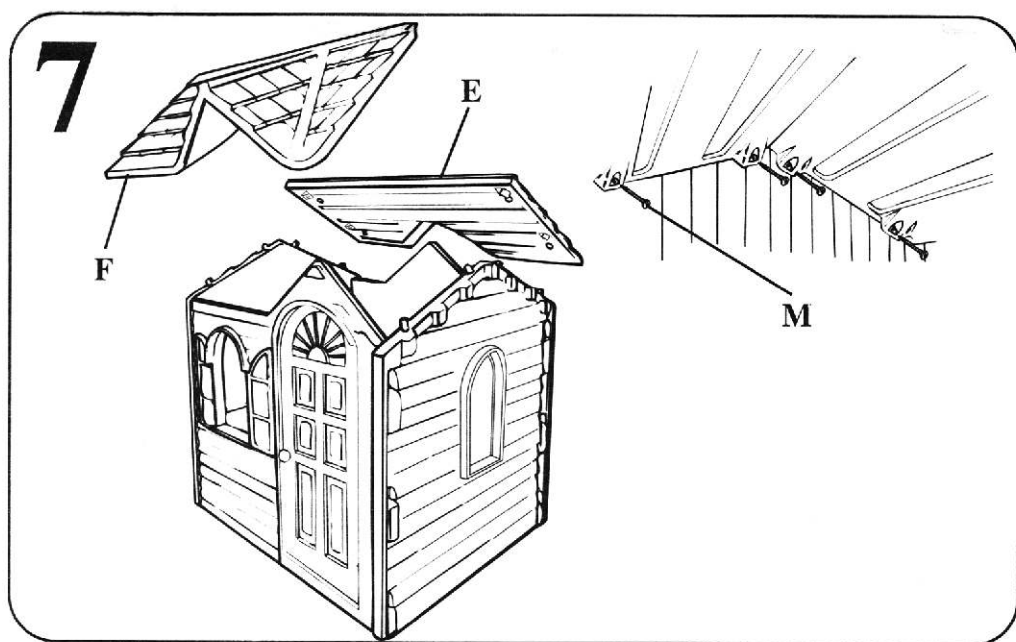
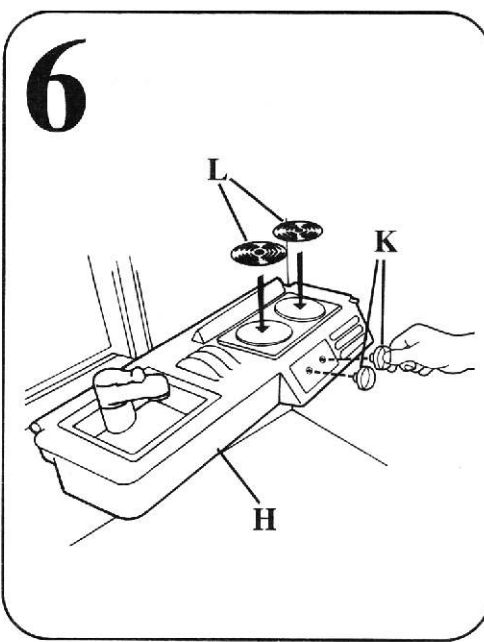
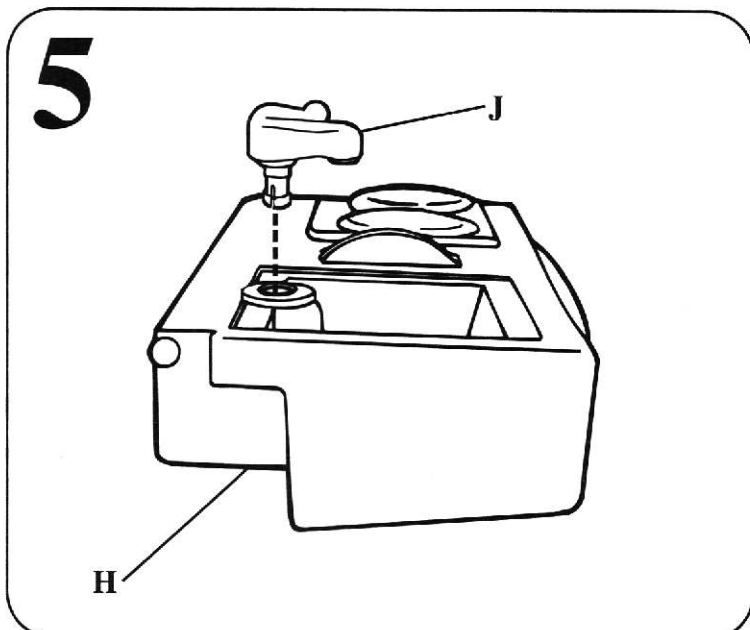
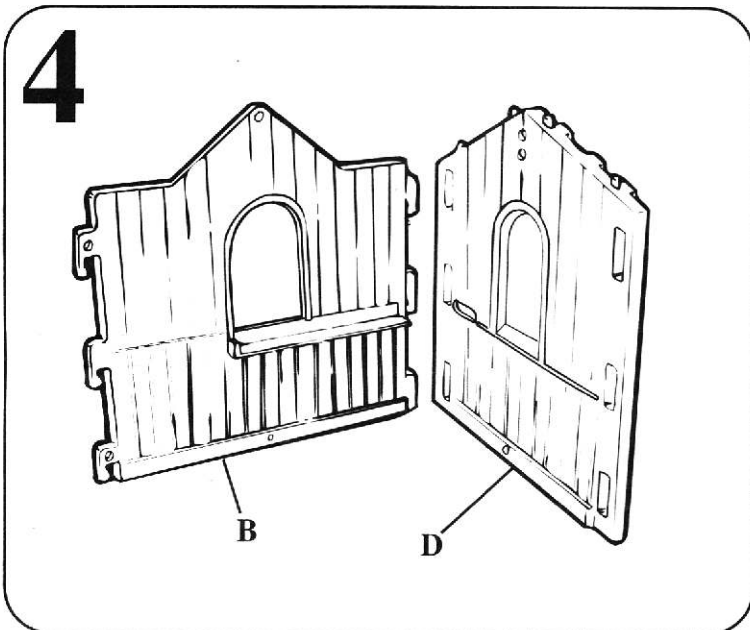
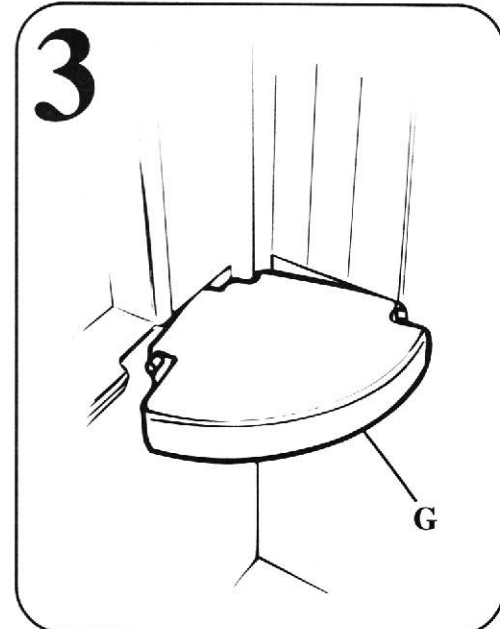
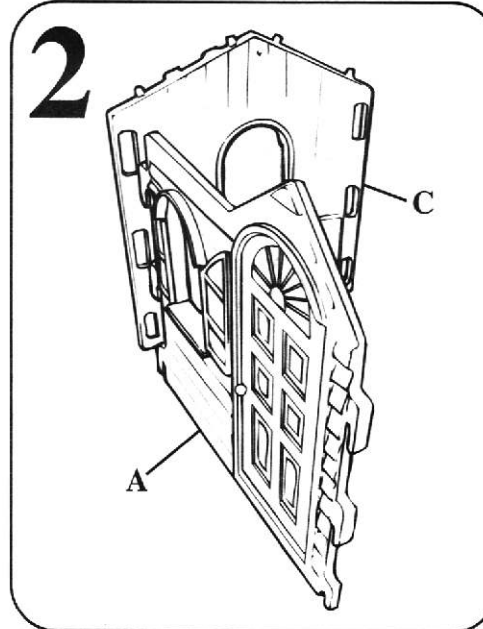
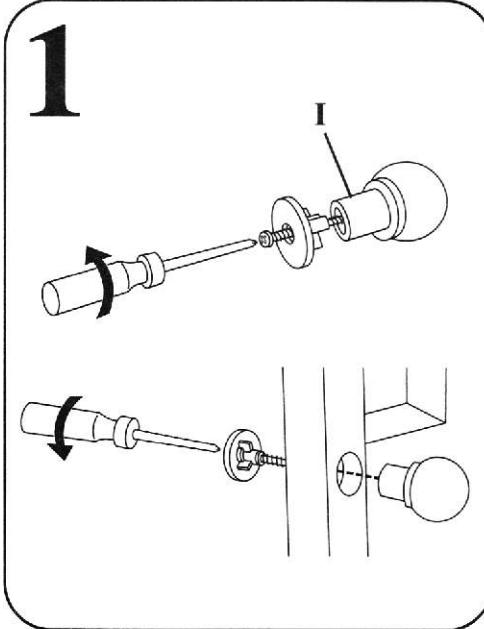
**FRANÇAIS**

**LE COTTAGE**  
2 à 6 ans  
Prière de conserver le reçu comme preuve d'achat.

**LE MONTAGE DEVRA ÊTRE EFFECTUÉ PAR UN ADULTE.**  
Certaines pièces en raison de leurs grandes tailles devront être montées par deux adultes.

- ATTENTION :**
- Ce produit contient des pièces de petites dimensions. Ne pas laisser à la portée des enfants avant d'être assemblé.
  - Placer ce produit à plus de 2 m de toute clôture, immeuble, branche basse ou fil métallique.
  - Ne mettez pas ce produit sur du ciment, de l'asphalte, de la terre tassée ou toute autre surface dure.
  - Lorsque la température descend au dessous de -18°C, il est recommandé de rentrer le produit dans un endroit tempéré et protégé. Par temps extrêmement froid le plastique perd de sa souplesse et peut devenir fragile et cassant.
  - Apprendre aux enfants l'utilisation du jouet une fois celui-ci monté.
  - La surveillance d'un adulte est recommandée.

**SUGGESTIONS DE MONTAGE :**  
Lorsque l'on fixe les murs, la force d'un adulte pourra être nécessaire en raison du poids et de la taille des pièces. Pour







## 中文

年齡: 2 - 6 岁

請保留收據做為購物證明。

需要由成人來裝配。

建议由两名成人安装。

△ 警告:

- 本包裝包含小型部件。  
安裝前請勿讓兒童接觸。
- 將此產品置於平坦地面上，  
離欄干，建築物，高處樹枝，  
晾衣服繩子或電線至少 1.8  
公尺。
- 不要將此產品放在水泥，柏油，  
木頭或其他堅硬地面上。
- 當溫度低於攝氏零下 18 度，  
不建議在室外使用此產品。  
在極冷的天氣，塑膠製品失去  
彈性，碰撞時易碎裂。將此  
產品儲藏在較溫暖且安全的  
地方。
- 教導孩子如何正確使用此產品：  
正確裝配及安裝好後方可使用，  
而且不可做不適當的用途。
- 必須有成人的督導。不要留下  
孩童無人看守。

